

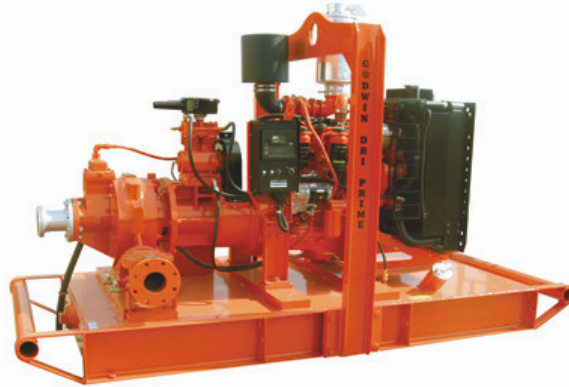
CD140M Dri-Prime Pump

CD140M

The Godwin Dri-Prime CD140M pump offers flow rates to 1,236 USGPM and discharge heads to 270' (82m). Also it has the capability of handling solids up to 3" (75mm) in diameter.

The CD140M is able to prime to 28' (8.5 m) of suction lift from dry.

Indefinite dry-running is no problem due to the unique Godwin oil bath mechanical seal design. Solids handling, dry-running and portability make the CD140M the perfect choice for small dewatering and bypass applications. The standard model is mounted on a highway trailer, with a skid-mounted option.



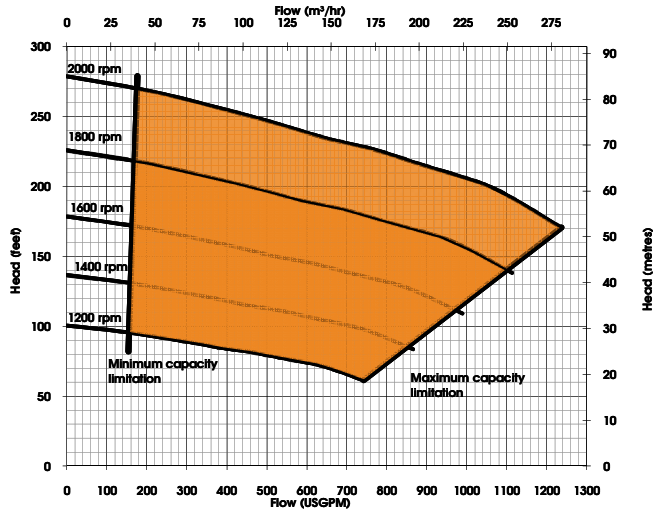
Features

- Simple maintenance normally limited to checking fluid levels.
- Close coupled centrifugal pump with vacuum priming compressor mounted to a diesel engine. Also available in electric drive or as bare shaft pumpend.
- Extensive application flexibility. It will handle sewage, slurries and liquids with solids up to 3" in diameter.
- Continuously operated Godwin venturi air ejector priming device requiring no form of periodic adjustment or control.
- Dry-running heavy duty mechanical seal with abrasion-resistant interfaces.
- Also available in a Critically Silenced unit which drastically reduce noise levels of the pump.
- Standard engine Caterpillar C4.4M-T. Also available with John Deere 4045TF285.
- The volute & suction cover are made from cast iron bs1452:1990 grade 220 and the impeller is made from cast steel bs3100 a5 hardness to 200 hb brinell.

Specifications

Suction connection	4" 125# ANSI B16.1
Delivery connection	4" 125# ANSI B16.1
Max capacity	1236 USGPM
Max head	270' (82m)
Max solids handling	3" (75mm)
Max impeller diameter	14" (345mm)
Max operating temp	176°F (80°C)
Max working pressure	123.3 psi (8.5 bar)
Max suction pressure	58.0 psi (4.0 bar)
Max casing pressure	184.9 psi (12.8 bar)
Max operating speed	2000 rpm

Performance Curve



Materials

Pump casing & suction cover	Cast iron BS1452:1990 grade 220
Wearplates	Cast iron to BS1452 grade 220
Pump shaft	Carbon steel BS970 080M40
Impeller	Cast steel BS3100 A5 hardness to 200 HB Brinell
Non-return valve body	Cast iron BS1452 grade 220
Mechanical seal faces	Silicon carbide vs silicon carbide viton

Engine option 1

Caterpillar, C4.4M-T, 69.7 HP @ 2000 rpm

Impeller diameter 14 " (345 mm)

Suction Lift Table

Total Suction Head (')	Total Delivery Head (')				
	144	164	185	205	237
Output (USGPM)					
9.8	1247	1213	1101	881	489
15.1	1247	1174	1027	807	391
20.0	978	905	832	704	294
24.9	758	753	709	612	196

Fuel capacity (Full) 105 US Gal, (Usable) 105 US Gal

Fuel consumption @ 2000 rpm BEP 3.4 US Gal/hr

Weight: (Dry) 3,761 lbs, (Wet) 4,619 lbs

Dimensions: (L) 121" x (W) 53" x (H) 73"

Engine option 2

John Deere, 4045TF285, 87.1 HP @ 1800 rpm

Impeller diameter 14 " (345 mm)

Suction Lift Table

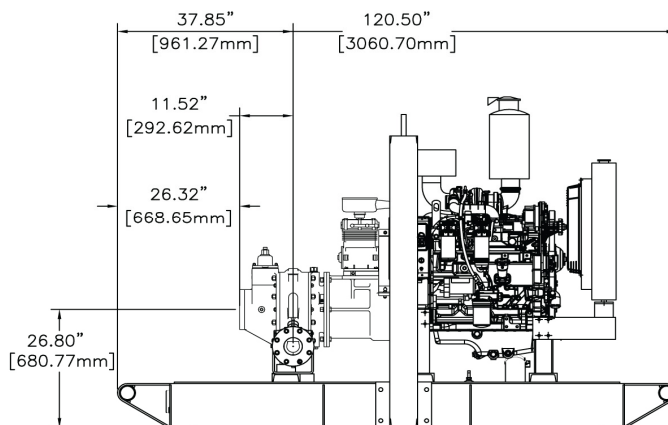
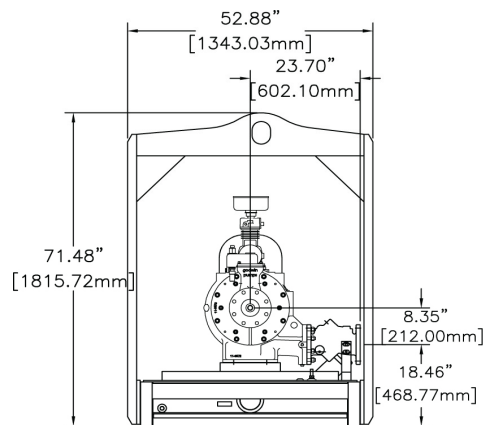
Total Suction Head (')	Total Delivery Head (')				
	115	131	148	164	190
Output (USGPM)					
9.8	1123	1092	991	793	440
15.1	1123	1057	925	726	352
20.0	881	815	748	634	264
24.9	682	678	638	550	176

Fuel capacity (Full) 105 US Gal, (Usable) 105 US Gal

Fuel consumption @ 1800 rpm BEP 4.0 US Gal/hr

Weight: (Dry) 3,662 lbs, (Wet) 4,503 lbs

Dimensions: (L) 121" x (W) 53" x (H) 73"



Performance data provided in tables is based on water tests at sea level and 68°F ambient.

All information is approximate and for general guidance only.

Please contact Godwin Pumps for further details.

Reference number : 95-1009-3000

Date of issue : August 25, 2011

Issue : 1



84 Floodgate Road | Bridgeport, NJ 08014 USA
 P: (856) 467-3636 | F: (856) 467-4841
 Sales@godwinpumps.com | godwinpumps.com