

CD180M Dri-Prime Pump

CD180M

The Godwin Dri-Prime CD180M pump offers flow rates to 2,090 USGPM and discharge heads to 253' (77m). Also it has the capability of handling solids up to 3" (75mm) in diameter.

The CD180M is able to prime to 28' (8.5 m) of suction lift from dry.

Indefinite dry-running is no problem due to the unique Godwin oil bath mechanical seal design. Solids handling, dry-running and portability make the CD180M the perfect choice for small dewatering and bypass applications. The standard model is mounted on a highway trailer, with a skid-mounted option.



Features

- Simple maintenance normally limited to checking fluid levels.
- Close-coupled centrifugal pump with vacuum priming compressor mounted to a diesel engine. Also available in electric drive or as bare shaft pumpend.
- Extensive application flexibility. It will handle sewage, slurries and liquids with solids up to 3" in diameter.
- Continuously operated Godwin venturi air ejector priming device requiring no form of periodic adjustment or control.
- Dry-running heavy duty mechanical seal with abrasion-resistant interfaces.
- Also available in a Critically Silenced unit which drastically reduce noise levels of the pump.
- Standard engine John Deere 6068HF285. Also available with Caterpillar C6.6E.
- The volute & suction cover are made from cast iron bs1452:1990 grade 220 and the impeller is made from cast steel bs3100 a5 hardness to 200 hb brinell.

Specifications

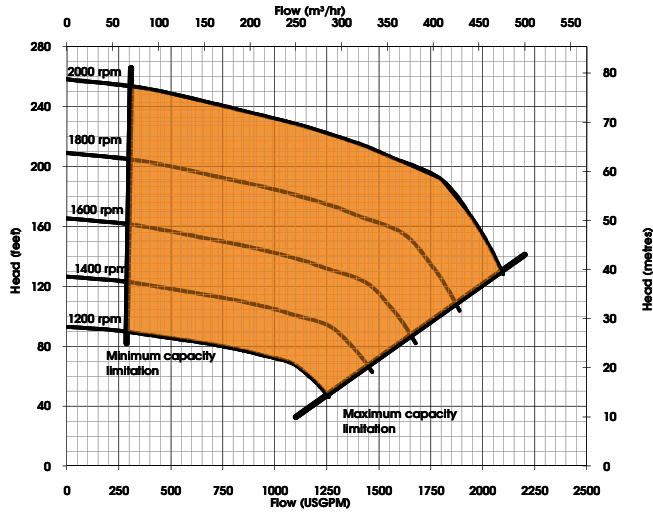
| | |
|-----------------------|----------------------|
| Suction connection | 8" 125# ANSI B16.1 |
| Delivery connection | 8" 125# ANSI B16.1 |
| Max capacity | 2090 USGPM |
| Max head | 253' (77m) |
| Max solids handling | 3" (75mm) |
| Max impeller diameter | 14" (356mm) |
| Max operating temp | 176°F (80°C) |
| Max working pressure | 130.5 psi (9.0 bar) |
| Max suction pressure | 72.5 psi (5.0 bar) |
| Max casing pressure | 195.8 psi (13.5 bar) |
| Max operating speed | 2000 rpm |

godwin 
a xylem brand

Reference number : 95-1013-3000
Date of issue : August 25, 2011
Issue : 1

Please contact Godwin for further details.
A typical picture of the pump is shown.
All information is approximate and for general guidance only.

Performance Curve



Materials

| | |
|-----------------------------|---|
| Pump casing & suction cover | Cast iron BS1452:1990 grade 220 |
| Wearplates | Cast iron to BS1452 grade 220 |
| Pump shaft | Nickel chrome steel to BS970 grade 817M40T |
| Impeller | Cast steel BS3100 A5 hardness to 200 HB Brinell |
| Non-return valve body | Cast iron |
| Mechanical seal faces | Silicon carbide vs silicon carbide |

CD180M

Engine option 1

John Deere, 6068HF285, 148.7 HP @ 2000 rpm

Impeller diameter 14 " (356 mm)

Suction Lift Table

| Total Suction Head (') | Total Delivery Head (') | | | | |
|------------------------|-------------------------|------|------|------|-----|
| | 131 | 164 | 187 | 213 | 230 |
| | Output (USGPM) | | | | |
| 9.8 | 2025 | 1893 | 1651 | 1233 | 704 |
| 15.1 | 1937 | 1849 | 1651 | 1057 | 440 |
| 20.0 | 1871 | 1761 | 1541 | 881 | 352 |
| 24.9 | 1761 | 1651 | 1431 | 660 | - |

Fuel capacity (Full) 180 US Gal, (Usable) 180 US Gal

Fuel consumption @ 2000 rpm BEP 6.9 US Gal/hr

Weight: (Dry) 5,192 lbs, (Wet) 6,644 lbs

Dimensions: (L) 138" x (W) 53" x (H) 72"

Engine option 2

Caterpillar, C6.6E, 142.1 HP @ 2000 rpm

Impeller diameter 14 " (356 mm)

Suction Lift Table

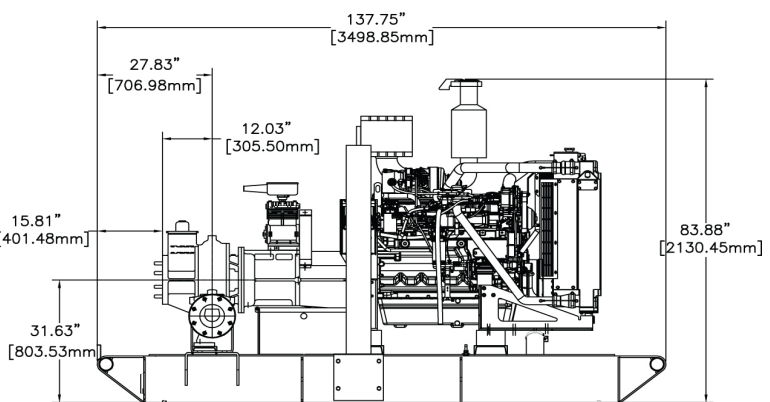
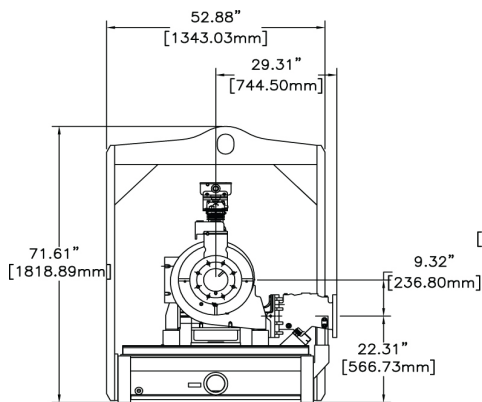
| Total Suction Head (') | Total Delivery Head (') | | | | |
|------------------------|-------------------------|------|------|------|-----|
| | 131 | 164 | 187 | 213 | 230 |
| | Output (USGPM) | | | | |
| 9.8 | 2025 | 1893 | 1651 | 1233 | 704 |
| 15.1 | 1937 | 1849 | 1651 | 1057 | 440 |
| 20.0 | 1871 | 1761 | 1541 | 881 | 352 |
| 24.9 | 1761 | 1651 | 1431 | 660 | - |

Fuel capacity (Full) 180 US Gal, (Usable) 180 US Gal

Fuel consumption @ 2000 rpm BEP 6.8 US Gal/hr

Weight: (Dry) 4,967 lbs, (Wet) 6,410 lbs

Dimensions: (L) 138" x (W) 53" x (H) 72"



Performance data provided in tables is based on water tests at sea level and 68°F ambient.

All information is approximate and for general guidance only.

Please contact Godwin Pumps for further details.

Reference number : 95-1013-3000

Date of issue : August 25, 2011

Issue : 1



84 Floodgate Road | Bridgeport, NJ 08014 USA
 P: (856) 467-3636 | F: (856) 467-4841
 Sales@godwinpumps.com | godwinpumps.com

Godwinpumps, Dri-Prime® and the color orange for pumps are registered trademarks of Godwin Pumps. Specifications and illustrations are subject to revision without notice. Godwin Pumps is not liable for any incompleteness or inaccuracies. Godwin Pumps is not liable for any consequential, incidental or indirect damages relating to these specifications or their use. Godwin is a direct wholly owned subsidiary of ITT Corporation.